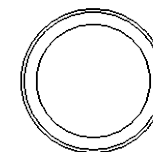
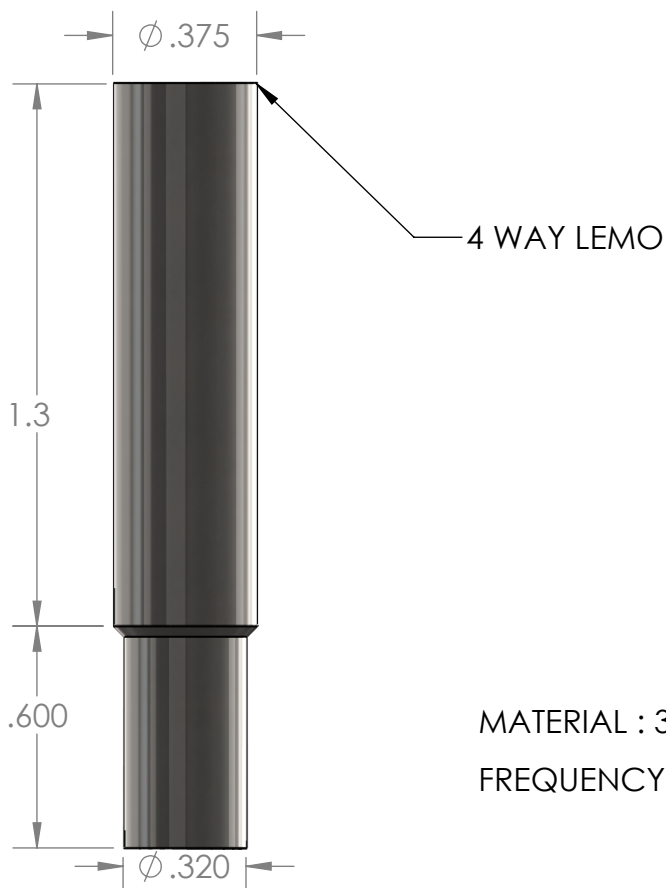


**AF-4181/4L
700P07A**



MATERIAL : 303 SS
FREQUENCY: 1-100KHz

UNLESS OTHERWISE SPECIFIED: DIMENSIONS ARE IN INCHES TOLERANCES: $\pm .010$ ANGULAR: ± 2.00 TWO PLACE DECIMAL: $\pm .010$ THREE PLACE DECIMAL $\pm .010$	DRAWN	Alexander Nieto	DATE	11/23/2020
	CHECKED		DATE	11/23/2020

COMMENTS:
STAINLESS STEEL LOW FREQUENCY REFLECTION SPOT PROBE, .310"Ø OD, 1KHZ-100KHZ WITH TOP MOUNTED 4 WAY LEMO CONNECTOR.

MATERIAL



TITLE:
AF-4181/4L

Equivalent Part #: **700P07A**

SCALE: 1:1 SHEET 1 OF 1

PROPRIETARY AND CONFIDENTIAL
THE INFORMATION CONTAINED IN THIS DRAWING IS THE SOLE PROPERTY OF AEROFAB NDT . ANY REPRODUCTION IN PART OR AS A WHOLE WITHOUT THE WRITTEN PERMISSION OF AEROFAB NDT IS PROHIBITED.